

TECHNICAL DATA SHEET

RADIAL FAN nr. AFGG-40_25



G&G filtration CZ, s.r.o.

A Hrubínova 1903/9, 66451 Šlapanice, CZ
 IČ 05226953 IČ DPH CZ05226953
 E info@ggf.cz W www.ggf.cz

ITEM1

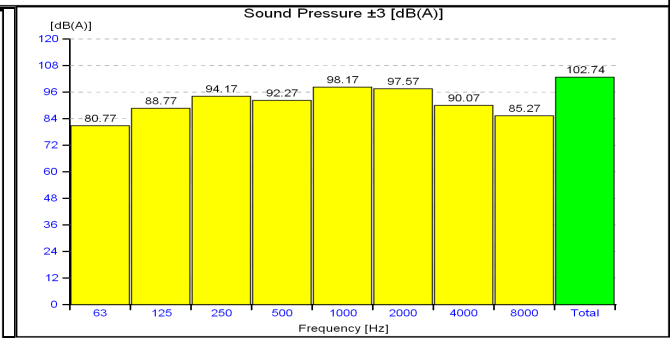
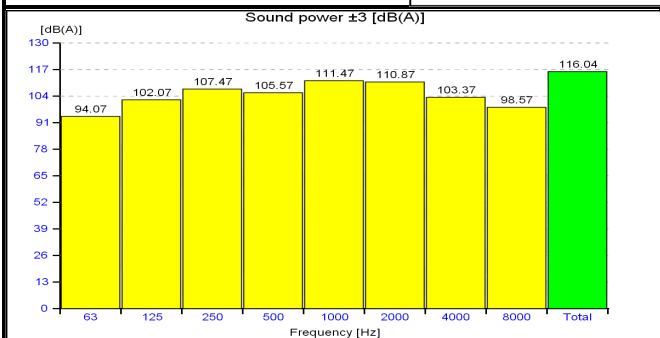
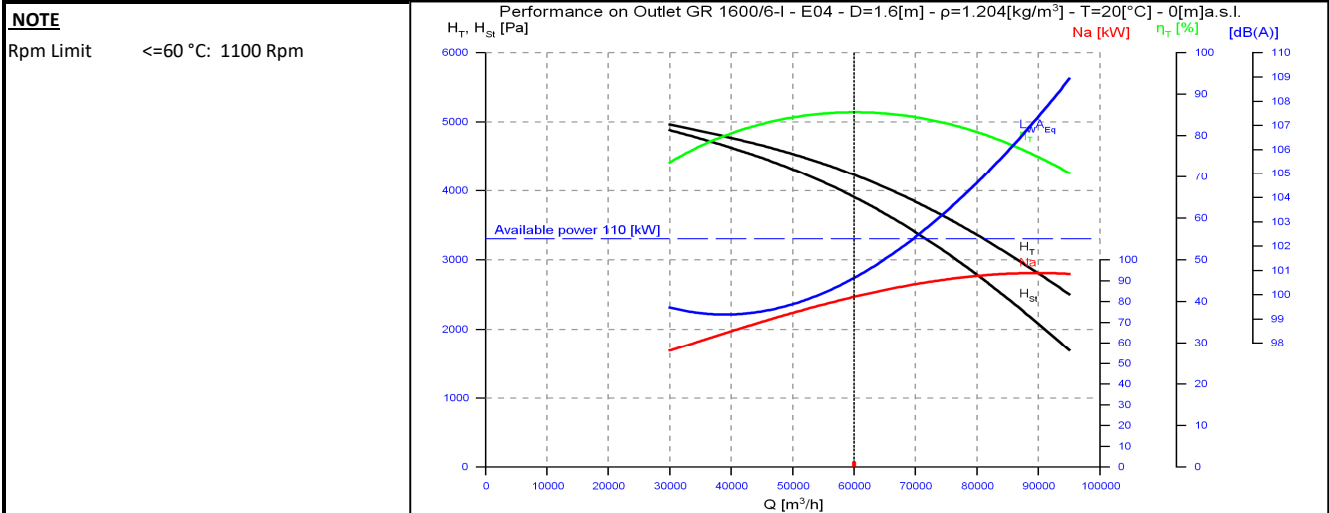
Document printed by Aeraulica - Dimensions and performances can be changed without prior notice

Type and characteristics of the requested machine		performance on		Outlet
Flow rate	60000 [m3/h]	Capacity (Normal)		55907 [Nm3/h]
Total pressure	4000 [Pa]	Static pressure		
Working fluid temperature	20 [°C]	Fluid specific weight		1.204 [Kg/m3]
Installation altitude	0 asl [m]	Specific weight std (20 [°C], 0 asl [m])		1.204 [Kg/m3]

Suggested model and effective characteristics				performance on		Outlet
Model	GR 1600/6-I	Execution	E04	Installation Type	A (free inlet and outlet)	
Fluid specific weight	1.204	1.204 [Kg/m3]		Revolution fan speed		980 [rpm]
Total pressure	4227	4227 [Pa]		Orientation		RD 0
Static pressure	3904	3904 [Pa]		Sound power LwA		116.04 [dB(A)]
Flow rate	60000	60000 [m3/h]		Sound pressure at mt.1.5 1/2 sf in open field		102.74 [dB(A)]
Capacity (Normal)	55907	55907 [Nm3/h]		Pipings	s>3mm = +3dB; 1mm<s<3mm = +4,5dB ; s<1mm = +6dB	
Power dem. at shaft	82.262	82.262 [kW]		Fan efficiency	Outlet	85.63 %
Motor power demand	82.262	82.262 [kW]				

Characteristics of chosen motor				Motor efficiency IEC 60034-30			IE3	PD ² impeller	473.0 kgm ²
Code	315L66-50/std3P	shape	B3	Efficiency	95.1	95.5	95.3	PD ² needed	462.56 kgm ²
Rated power	110.0 [kW]	n° poles	6	rpm	991	Load	100%	75%	50%
								PD ² motor	720 kgm ²

ErP 2009/125/CE Regulament (UE) N. 327/2011		Notes	
Efficiency grade	64	N	79.4
Impeller type	backward blades	Type of test	B/total
		Flow rate	60062.5 [m3/h]
		Pressure	3901 [Pa]
		Total efficiency	81.74 %



values of the noise of fan obtained in ambient not reverberant with inlet and outlet ducts fully insulated

TECHNICAL DATA SHEET

RADIAL FAN nr. AFGG-40_25



G&G filtration CZ, s.r.o.

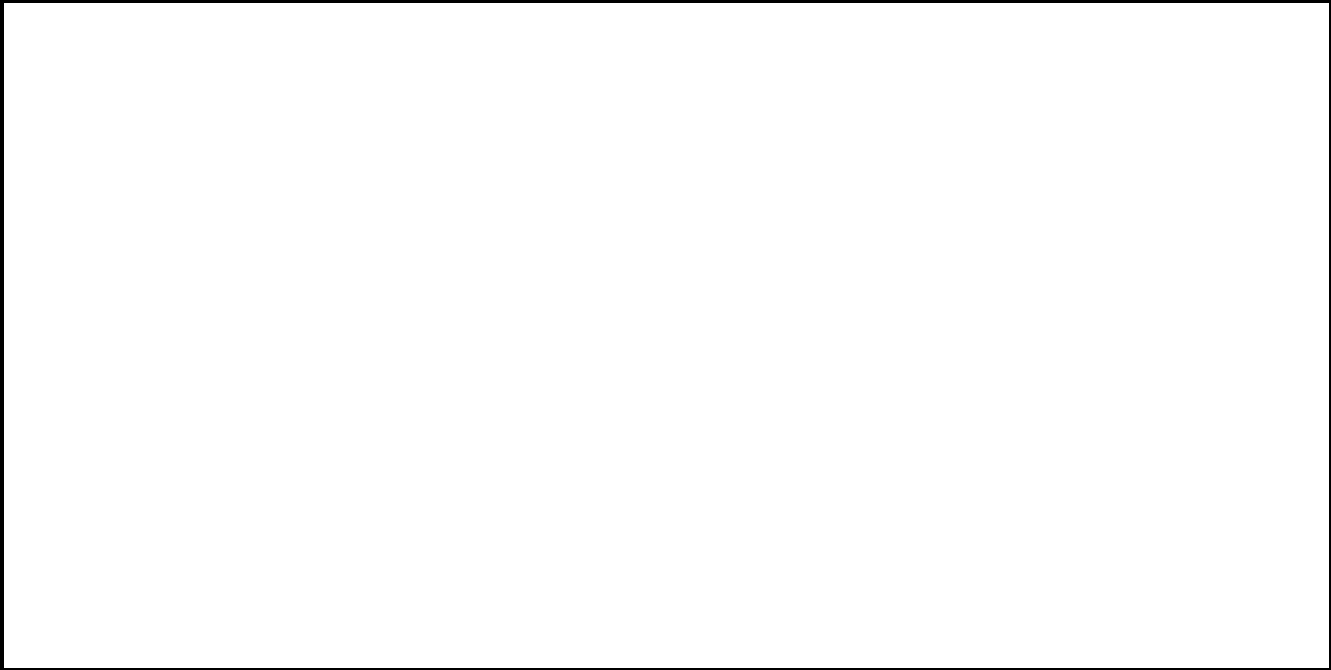
A Hrubínova 1903/9, 66451 Šlapanice, CZ

IČ 05226953 IČ DPH CZ05226953

E info@ggf.cz W www.ggf.cz

ITEM1

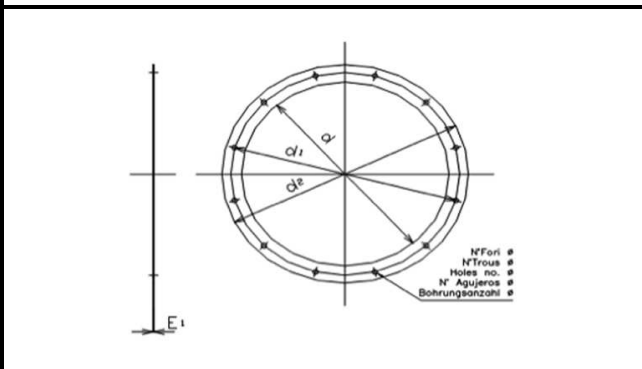
Document printed by Aeraulica - Dimensions and performances can be changed without prior notice



Indicative measures in the standard configuration. For detailed information contact your reference.

Indicative value of weight including standard motor.

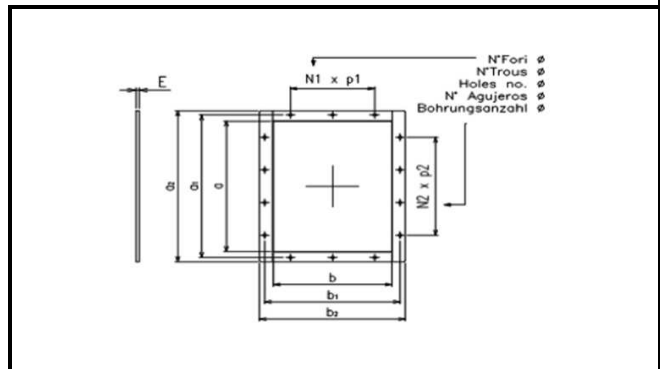
H	H1	H2	H3	H4	M	S	U	PD2	kg			
1500	1120	1900	1250	1600	690	783	1458	262	2058			



Cod	dxn°	d1	d2	Φ	E1
1007 A	1007x24	1067	1107	14	6

--	--	--	--	--	--

--	--	--	--	--	--



Cod	axb	a1	b1	a2	b2
1007x0715	1007x715	1077	785	1127	835

N1xp	N2xp	n°	Φ	E	
3x200	4x200	18	14	8	

--	--	--	--	--	--