

# TECHNICAL DATA SHEET

## RADIAL FAN nr. AFGG-40\_17



G&G filtration CZ, s.r.o.

A Hrubínova 1903/9, 66451 Šlapanice, CZ  
 IČ 05226953 IČ DPH CZ05226953  
 E [info@ggf.cz](mailto:info@ggf.cz) W [www.ggf.cz](http://www.ggf.cz)

**ITEM1**

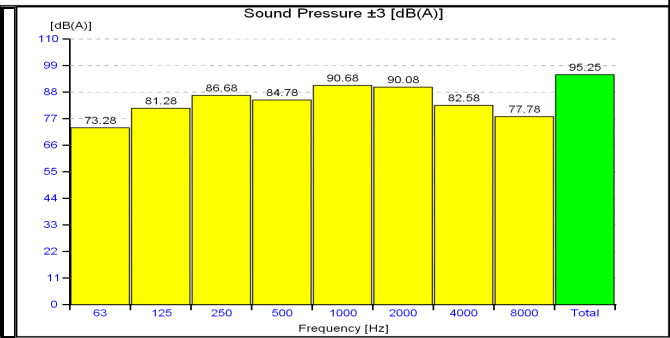
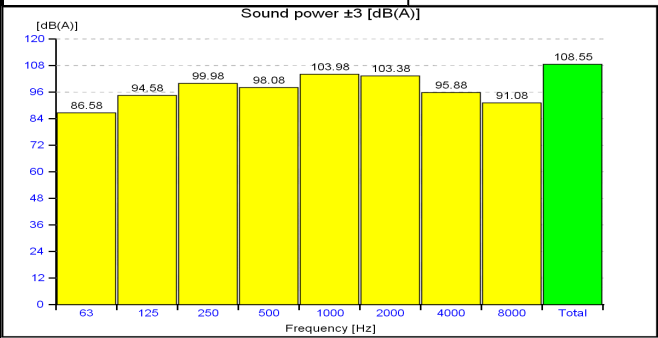
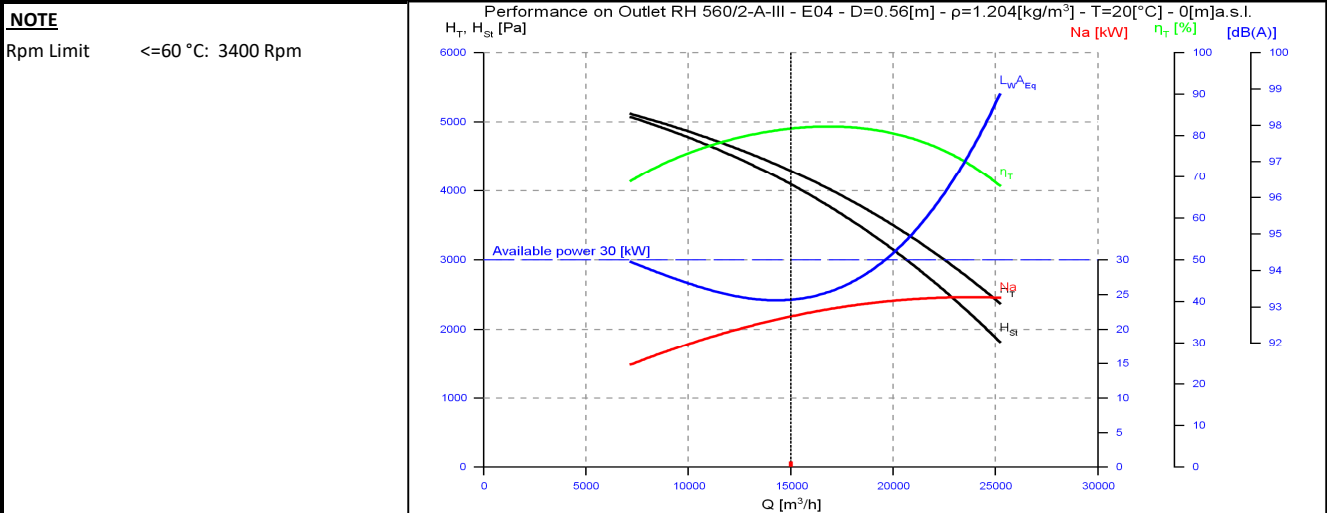
Document printed by Aeraulica - Dimensions and performances can be changed without prior notice

Type and characteristics of the requested machine		performance on		Outlet
Flow rate	15000 [m3/h]	Capacity (Normal)		13977 [Nm3/h]
Total pressure	4000 [Pa]	Static pressure		
Working fluid temperature	20 [°C]	Fluid specific weight		1.204 [Kg/m3]
Installation altitude	0 asl [m]	Specific weight std (20 [°C], 0 asl [m])		1.204 [Kg/m3]

Suggested model and effective characteristics				performance on		Outlet
Model	RH 560/2-A-III	Execution	E04	Installation Type	A (free inlet and outlet)	
Fluid specific weight	1.204		1.204 [Kg/m3]	Revolution fan speed		2960 [rpm]
Total pressure	4287		4287 [Pa]	Orientation		RD 0
Static pressure	4089		4089 [Pa]	Sound power LwA		108.55 [dB(A)]
Flow rate	15000		15000 [m3/h]	Sound pressure at mt.1.5 1/2 sf in open field		95.25 [dB(A)]
Capacity (Normal)	13977		13977 [Nm3/h]	Pipings	s>3mm = +3dB; 1mm<s<3mm = +4,5dB ; s<1mm = +6dB	
Power dem. at shaft	21.858		21.858 [kW]	Fan efficiency	Outlet	81.71 %
Motor power demand	21.858		21.858 [kW]			

Characteristics of chosen motor				Motor efficiency IEC 60034-30			PD <sup>2</sup> impeller	4.5	kgm <sup>2</sup>			
Code	200LA2-50/std3P	shape	B3	Efficiency	93.3	93.5	92.9	PD <sup>2</sup> needed	4.5	kgm <sup>2</sup>		
Rated power	30.0 [kW]	n° poles	2	rpm	2960	Load	100%	75%	50%	PD <sup>2</sup> motor	32.4	kgm <sup>2</sup>

ErP 2009/125/CE Regulament (UE) N. 327/2011		Notes	
Efficiency grade	64	N	75.9
Impeller type	backward blades	Type of test	B/total
		Flow rate	16839 [m3/h]
		Pressure	3775 [Pa]
		Total efficiency	76.82 %



values of the noise of fan obtained in ambient not reverberant with inlet and outlet ducts fully insulated

# TECHNICAL DATA SHEET

## RADIAL FAN nr. AFGG-40\_17



G&G filtration CZ, s.r.o.

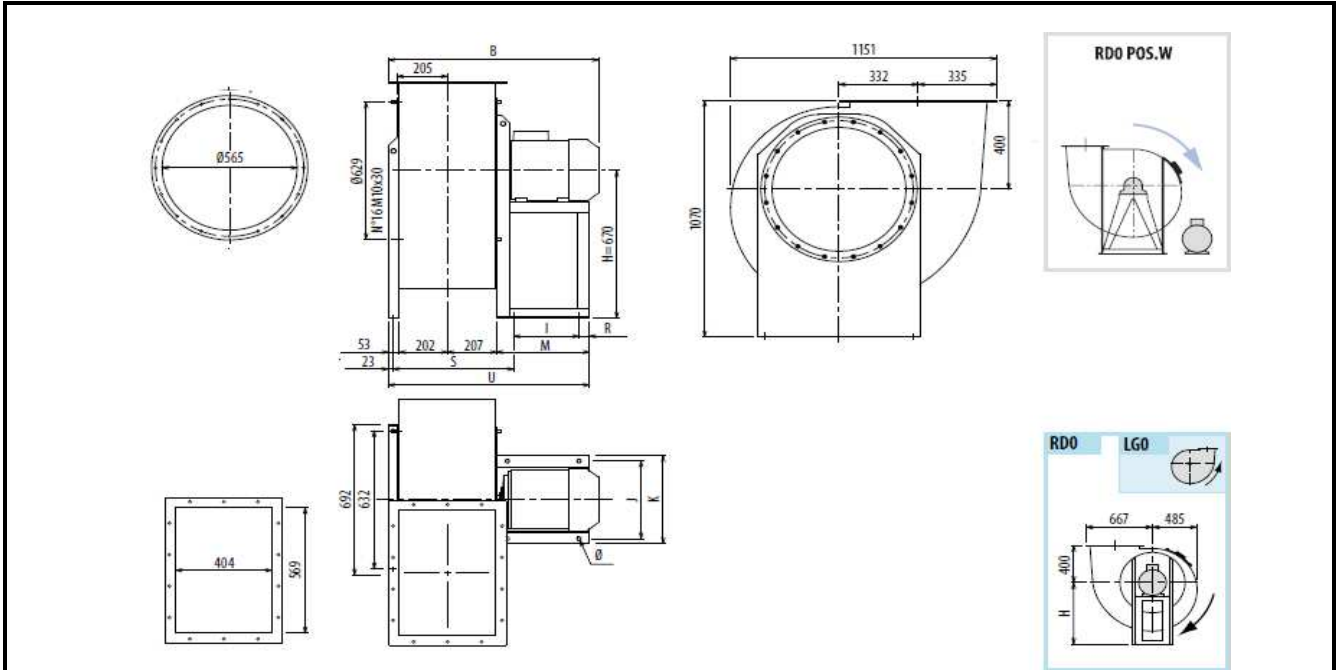
A Hrubínova 1903/9, 66451 Šlapanice, CZ

IČ 05226953 IČ DPH CZ05226953

E [info@ggf.cz](mailto:info@ggf.cz) W [www.ggf.cz](http://www.ggf.cz)

### ITEM1

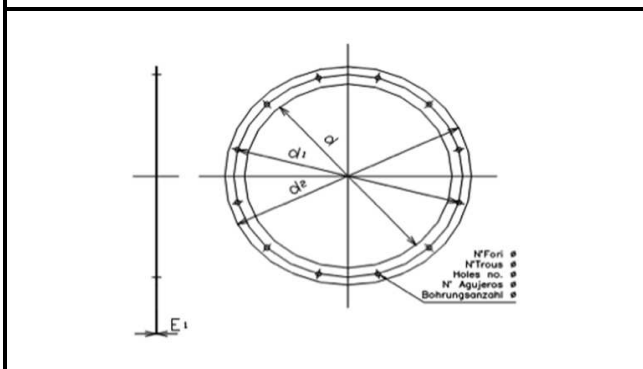
Document printed by Aeraulica - Dimensions and performances can be changed without prior notice



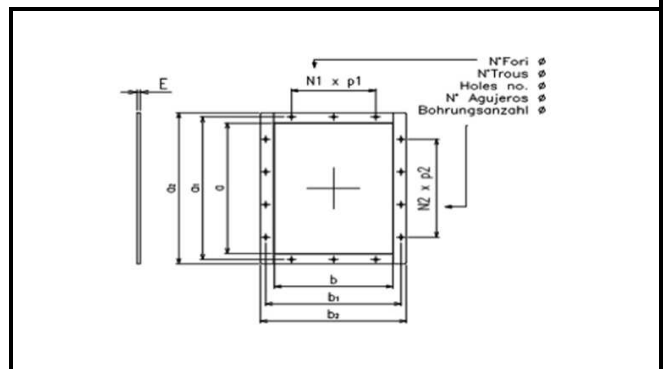
Indicative measures in the standard configuration. For detailed information contact your reference.

Indicative value of weight including standard motor.

B	I	H	H1	H2	J	K	M	R	S	U	Φ	PD2
1073	381	670	400	670	506	568	500	39	519	962	19	4,5
kg												
353												



Cod	dxn°	d1	d2	Φ	E1
0565 B	565x16	629	665	14	4



Cod	axb	a1	b1	a2	b2
0569x0404	569x404	629	464	669	504

N1xp	N2xp	n°	Φ	E
2x160	3x160	14	14	4