

TECHNICAL DATA SHEET

RADIAL FAN nr. AFGG-35_01



G&G filtration CZ, s.r.o.

A Hrubínova 1903/9, 66451 Šlapanice, CZ
 IČ 05226953 IČ DPH CZ05226953
 E info@ggf.cz W www.ggf.cz

ITEM1

Document printed by Aeraulica - Dimensions and performances can be changed without prior notice

Type and characteristics of the requested machine				performance on		Outlet						
Flow rate	600 [m3/h]	Capacity (Normal)				559 [Nm3/h]						
Total pressure	3550 [Pa]	Static pressure										
Working fluid temperature	20 [°C]	Fluid specific weight				1.204 [Kg/m3]						
Installation altitude	0 asl [m]	Specific weight std (20 [°C], 0 asl [m])				1.204 [Kg/m3]						
Suggested model and effective characteristics				performance on		Outlet						
Model	VGP 400/2-I	Execution	E04	Installation Type	A (free inlet and outlet)							
Fluid specific weight	1.204	1.204 [Kg/m3]		Revolution fan speed		2920 [rpm]						
Total pressure	3336	3336 [Pa]		Orientation		RD 0						
Static pressure	3228	3228 [Pa]		Sound power LwA		100.63 [dB(A)]						
Flow rate	600	600 [m3/h]		Sound pressure at mt.1.5 1/2 sf in open field		87.33 [dB(A)]						
Capacity (Normal)	559	559 [Nm3/h]		Pipings	s>3mm = +3dB; 1mm<s<3mm = +4,5dB; s<1mm = +6dB							
Power dem. at shaft	1.037	1.037 [kW]		Fan efficiency	Outlet	53.63	%					
Motor power demand	1.037	1.037 [kW]										
Characteristics of chosen motor				Motor efficiency IEC 60034-30			IE3					
Code	090L02-50/std3	shape	B3	Efficiency	85.9	86.8	86.1	PD ² impeller	0.3	kgm ²		
Rated power	2.2 [kW]	n° poles	2	rpm	2910	Load	100%	75%	50%	PD ² needed	0.3	kgm ²
										PD ² motor	2	kgm ²
ErP 2009/125/CE Regulament (UE) N. 327/2011				Notes								
Efficiency grade	49			N	67.6	Total efficiency	63.28 %					
Impeller type	forward blades	Type of test	B/total	Flow rate	1458.24 [m3/h]	Pressure	2675 [Pa]					
NOTE				Performance on Outlet VGP 400/2-I - E04 - D=0.4[m] - ρ=1.204[kg/m ³] - T=20[°C] - 0[m]a.s.l.								
Rpm Limit	<=60 °C: 5000 Rpm			H _r , H _{st} [Pa]	Available power 2.2 [kW]			Na [kW]	η _r [%]	L _w [dB(A)]	L _p [dB(A)]	
values of the noise of fan obtained in ambient not reverberant with inlet and outlet ducts fully insulated												

TECHNICAL DATA SHEET

RADIAL FAN nr. AFGG-35_01



G&G filtration CZ, s.r.o.

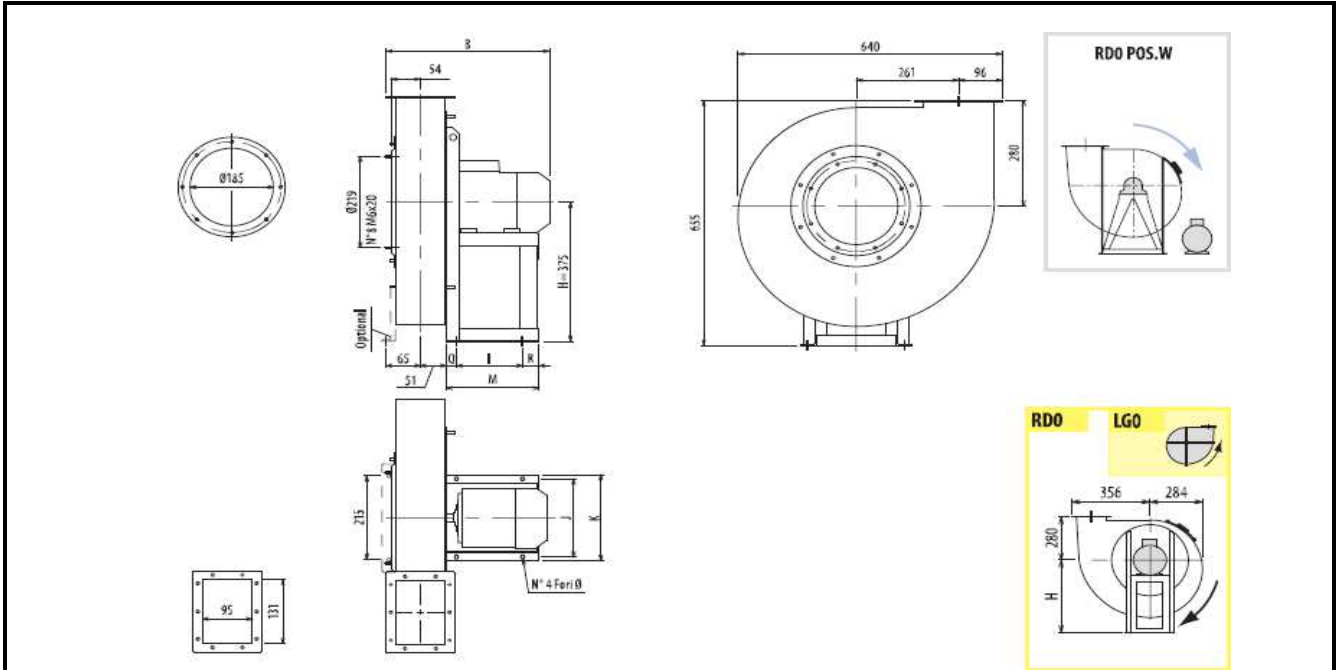
A Hrubínova 1903/9, 66451 Šlapanice, CZ

IČ 05226953 IČ DPH CZ05226953

E info@ggf.cz W www.ggf.cz

ITEM1

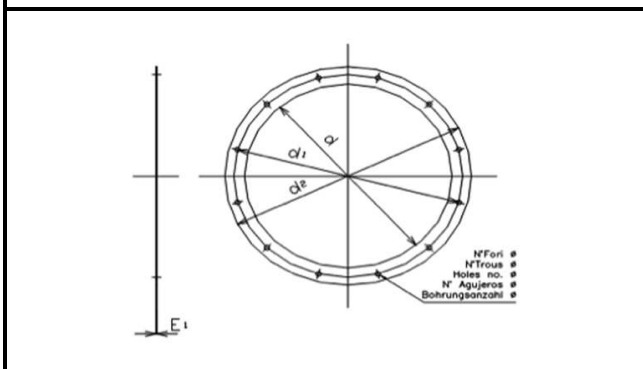
Document printed by Aeraulica - Dimensions and performances can be changed without prior notice



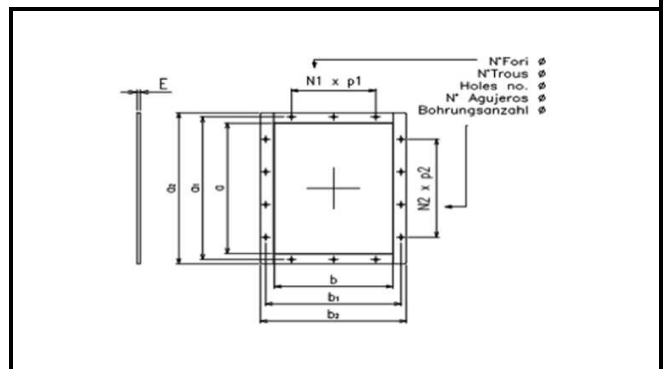
Indicative measures in the standard configuration. For detailed information contact your reference.

Indicative value of weight including standard motor.

B	I	H	H1	H2	J	K	M	Q	R	Φ	PD2	kg
415	133	375	280	375	234	260	251	58	60	10	0,3	45



Cod	dxn°	d1	d2	Φ	E1
0185 A	185x8	219	250	8	3



Cod	axb	a1	b1	a2	b2
0131x0095	131x95	165	129	191	155

N2xp	n°	Φ	E
1x100	6	10	4