

TECHNICAL DATA SHEET

RADIAL FAN nr. AFGG-25_17



G&G filtration CZ, s.r.o.

A Hrubínova 1903/9, 66451 Šlapanice, CZ

IČ 05226953 IČ DPH CZ05226953

E info@ggf.cz W www.ggf.cz

ITEM1

Document printed by Aeraulica - Dimensions and performances can be changed without prior notice

Type and characteristics of the requested machine				performance on		Outlet		
Flow rate	19000 [m3/h]	Capacity (Normal)				17704 [Nm3/h]		
Total pressure	2500 [Pa]	Static pressure						
Working fluid temperature	20 [°C]	Fluid specific weight				1.204 [Kg/m3]		
Installation altitude	0 asl [m]	Specific weight std (20 [°C], 0 asl [m])				1.204 [Kg/m3]		
Suggested model and effective characteristics				performance on		Outlet		
Model	RH 560R/2-A-III	Execution	E04	Installation Type	A (free inlet and outlet)			
Fluid specific weight	1.204	1.204 [Kg/m3]		Revolution fan speed		2960 [rpm]		
Total pressure	2703	2703 [Pa]		Orientation		RD 0		
Static pressure	2385	2385 [Pa]		Sound power LwA		110.05 [dB(A)]		
Flow rate	19000	19000 [m3/h]		Sound pressure at mt.1.5 1/2 sf in open field		96.75 [dB(A)]		
Capacity (Normal)	17704	17704 [Nm3/h]		Pipings	s>3mm = +3dB; 1mm<s<3mm = +4,5dB; s<1mm = +6dB			
Power dem. at shaft	18.662	18.662 [kW]		Fan efficiency	Outlet	76.44 %		
Motor power demand	18.662	18.662 [kW]						
Characteristics of chosen motor				Motor efficiency IEC 60034-30		IE3	PD ² impeller	3.6 kgm ²
Code	180M02-50/std3P	shape	B3	Efficiency	92.7 93.2 92.9		PD ² needed	3.62 kgm ²
Rated power	22.0 [kW]	n° poles	2 rpm 2950	Load	100% 75% 50%		PD ² motor	27 kgm ²
ErP 2009/125/CE Regulament (UE) N. 327/2011				Notes				
Efficiency grade	64		N 75.6	Total efficiency	76.25 %			
Impeller type	backward blades	Type of test	B/total	Flow rate	15021 [m3/h]	Pressure	3278 [Pa]	
NOTE				Performance on Outlet RH 560R/2-A-III - E04 - D=0.53[m] - ρ=1.204[kg/m ³] - T=20[°C] - 0[m]a.s.l.				
Rpm Limit	<=60 °C: 3550 Rpm			H _r , H _{st} [Pa]				
values of the noise of fan obtained in ambient not reverberant with inlet and outlet ducts fully insulated								

TECHNICAL DATA SHEET

RADIAL FAN nr. AFGG-25_17



G&G filtration CZ, s.r.o.

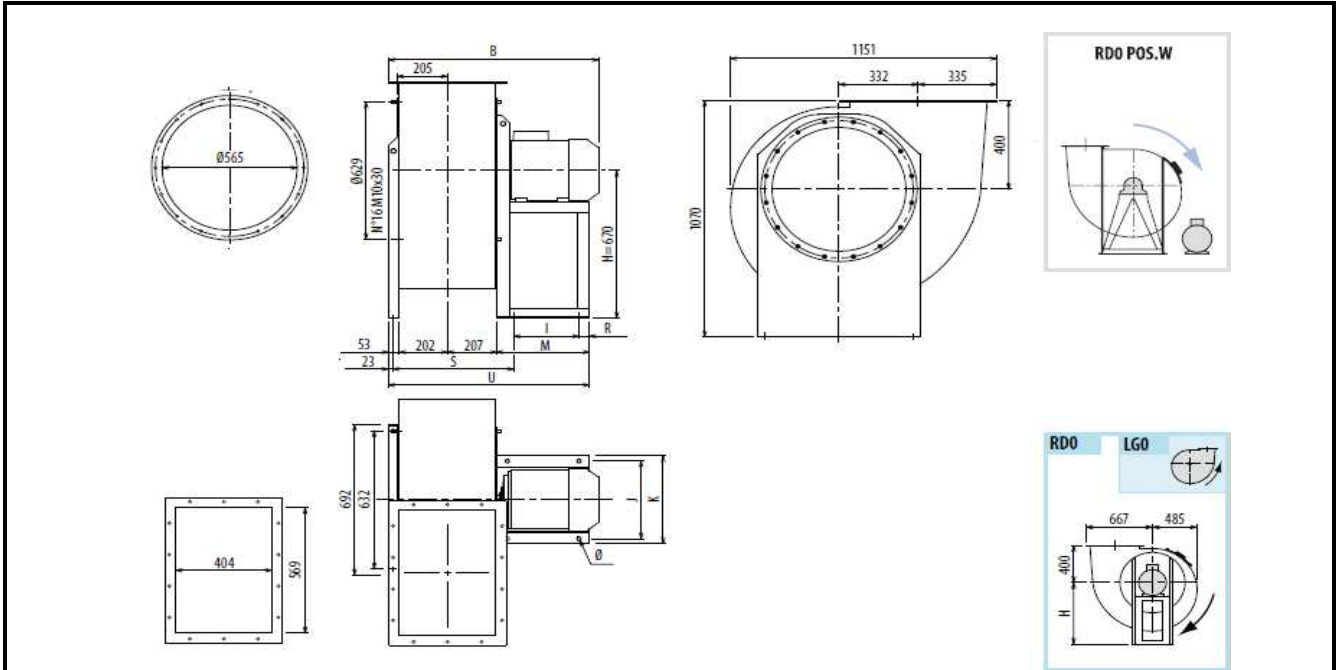
A Hrubínova 1903/9, 66451 Šlapanice, CZ

IČ 05226953 IČ DPH CZ05226953

E info@ggf.cz W www.ggf.cz

ITEM1

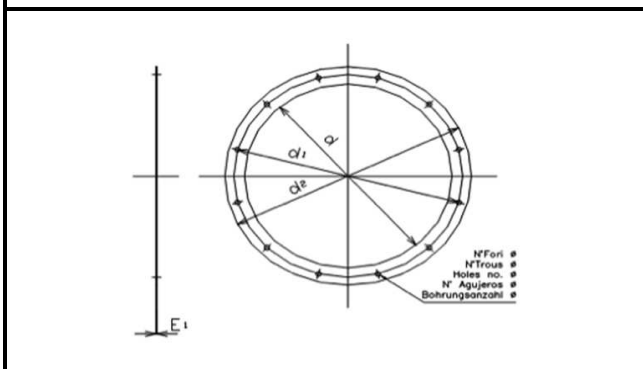
Document printed by Aeraulica - Dimensions and performances can be changed without prior notice



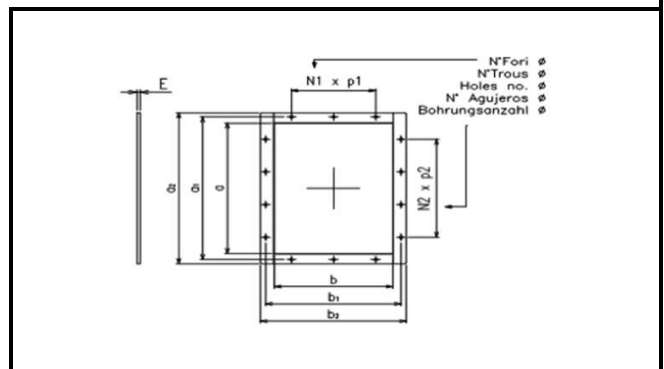
Indicative measures in the standard configuration. For detailed information contact your reference.

Indicative value of weight including standard motor.

B	I	H	H1	H2	J	K	M	R	S	U	Φ	PD2
1070	357	670	400	670	434	488	464	37	509	927	17	3,6
kg												
273												



Cod	dxn°	d1	d2	Φ	E1
0565 B	565x16	629	665	14	4



Cod	axb	a1	b1	a2	b2
0569x0404	569x404	629	464	669	504

--	--	--	--	--	--

N1xp	N2xp	n°	Φ	E
2x160	3x160	14	14	4

--	--	--	--	--

--	--	--	--	--