

TECHNICAL DATA SHEET

RADIAL FAN nr. AFGG-20_03



G&G filtration CZ, s.r.o.

A Hrubínova 1903/9, 66451 Šlapanice, CZ
 IČ 05226953 IČ DPH CZ05226953
 E info@ggf.cz W www.ggf.cz

ITEM1

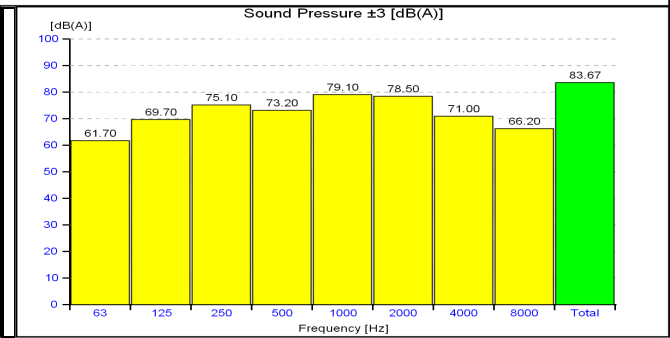
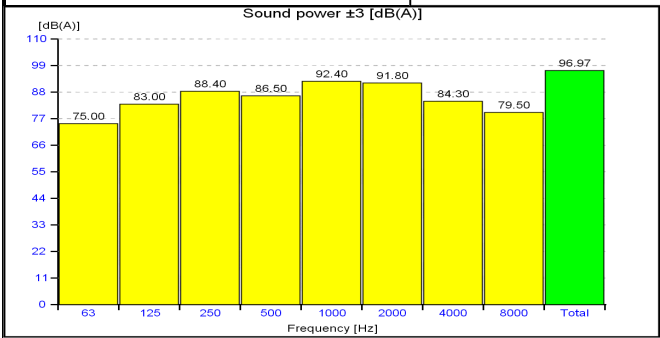
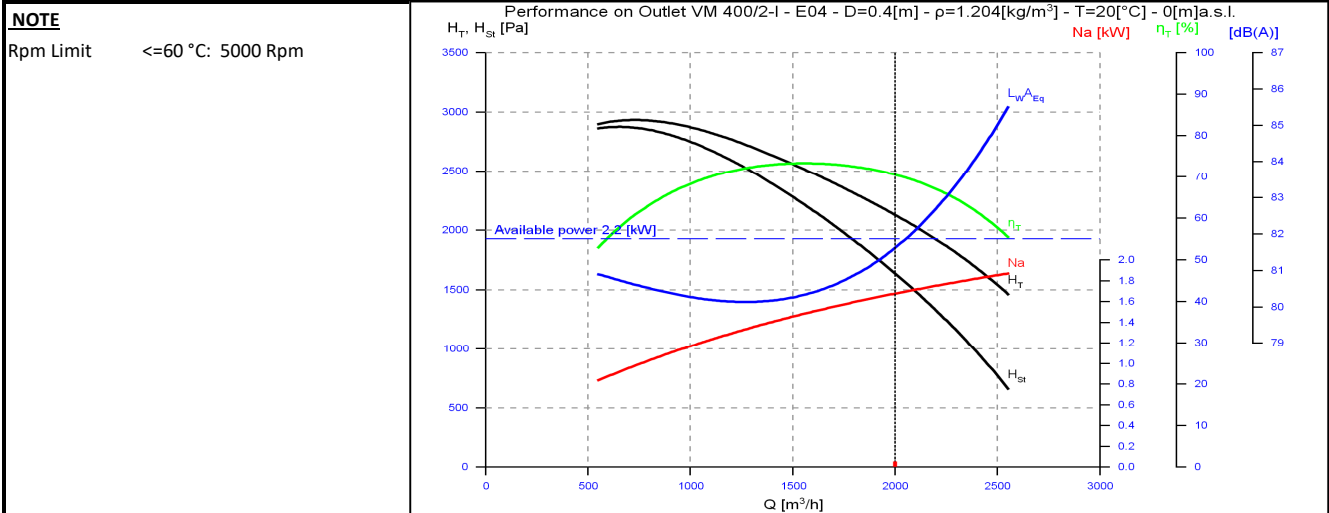
Document printed by Aeraulica - Dimensions and performances can be changed without prior notice

Type and characteristics of the requested machine		performance on		Outlet
Flow rate	2000 [m3/h]	Capacity (Normal)		1864 [Nm3/h]
Total pressure	2000 [Pa]	Static pressure		
Working fluid temperature	20 [°C]	Fluid specific weight		1.204 [Kg/m3]
Installation altitude	0 asl [m]	Specific weight std (20 [°C], 0 asl [m])		1.204 [Kg/m3]

Suggested model and effective characteristics				performance on		Outlet
Model	VM 400/2-I	Execution	E04	Installation Type	A (free inlet and outlet)	
Fluid specific weight	1.204	1.204 [Kg/m3]		Revolution fan speed		2920 [rpm]
Total pressure	2126	2126 [Pa]		Orientation		RD 0
Static pressure	1634	1634 [Pa]		Sound power L _{WA}		96.97 [dB(A)]
Flow rate	2000	2000 [m3/h]		Sound pressure at mt.1.5 1/2 sf in open field		83.67 [dB(A)]
Capacity (Normal)	1864	1864 [Nm3/h]		Pipings	s>3mm = +3dB; 1mm<s<3mm = +4,5dB ; s<1mm = +6dB	
Power dem. at shaft	1.676	1.676 [kW]		Fan efficiency	Outlet	70.49 %
Motor power demand	1.676	1.676 [kW]				

Characteristics of chosen motor				Motor efficiency IEC 60034-30			PD ² impeller	0.52 kgm ²	
Code	090L02-50/std3	shape	B3	Efficiency	85.9	86.8	86.1	PD ² needed	0.52 kgm ²
Rated power	2.2 [kW]	n° poles	2	rpm	2910			PD ² motor	2 kgm ²

ErP 2009/125/CE Regulament (UE) N. 327/2011		Notes	
Efficiency grade	64	N	71.6
Impeller type	backward blades	Type of test	B/total
		Flow rate	1560 [m3/h]
		Pressure	2210 [Pa]
		Total efficiency	63.57 %



values of the noise of fan obtained in ambient not reverberant with inlet and outlet ducts fully insulated

TECHNICAL DATA SHEET

RADIAL FAN nr. AFGG-20_03



G&G filtration CZ, s.r.o.

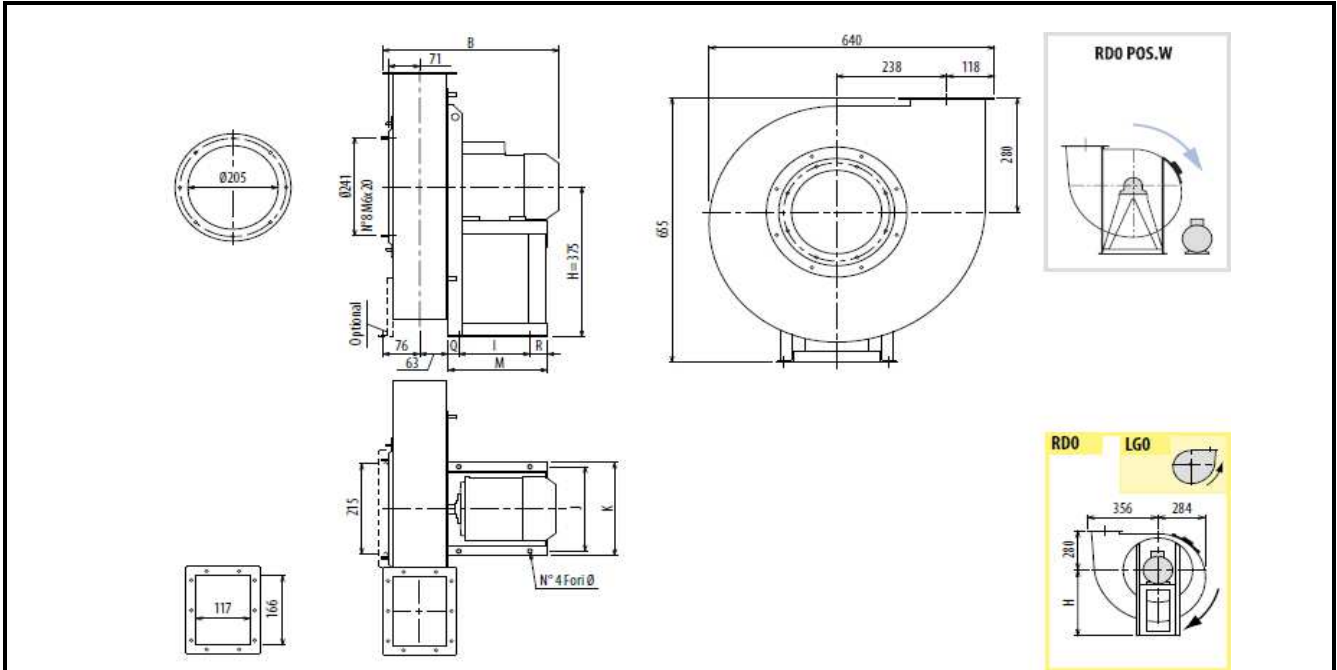
A Hrubínova 1903/9, 66451 Šlapanice, CZ

IČ 05226953 IČ DPH CZ05226953

E info@ggf.cz W www.ggf.cz

ITEM1

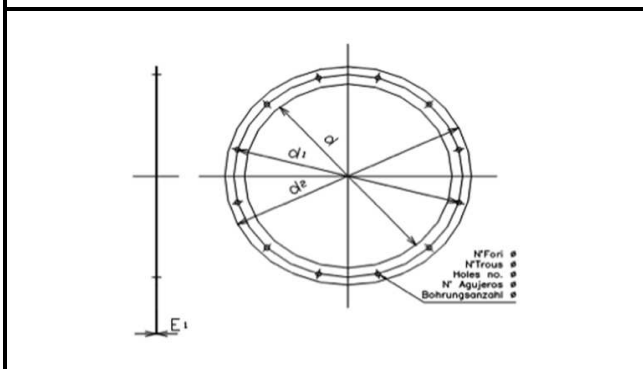
Document printed by Aeraulica - Dimensions and performances can be changed without prior notice



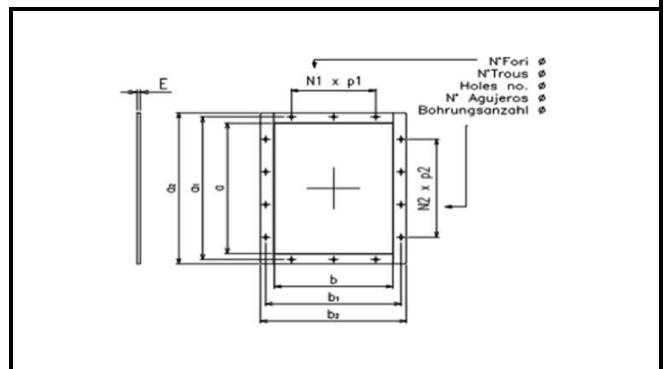
Indicative measures in the standard configuration. For detailed information contact your reference.

Indicative value of weight including standard motor.

B	I	H	H1	H2	J	K	M	Q	R	Φ	PD2	kg
437	133	375	280	375	234	260	251	58	60	10	0,52	50



Cod	dxn°	d1	d2	Φ	E1
0205 A	205x8	241	275	8	3



Cod	axb	a1	b1	a2	b2
0166x0117	166x117	200	151	236	187

N2xp	n°	Φ	E		
1x112	6	12	4		

--	--	--	--	--	--

--	--	--	--	--	--

--	--	--	--	--	--